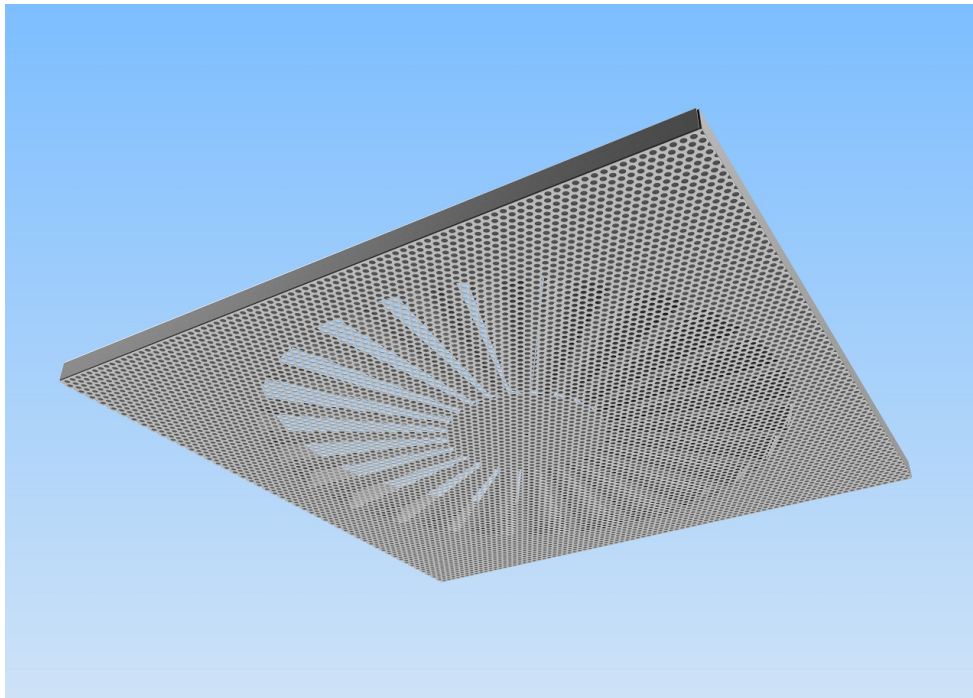
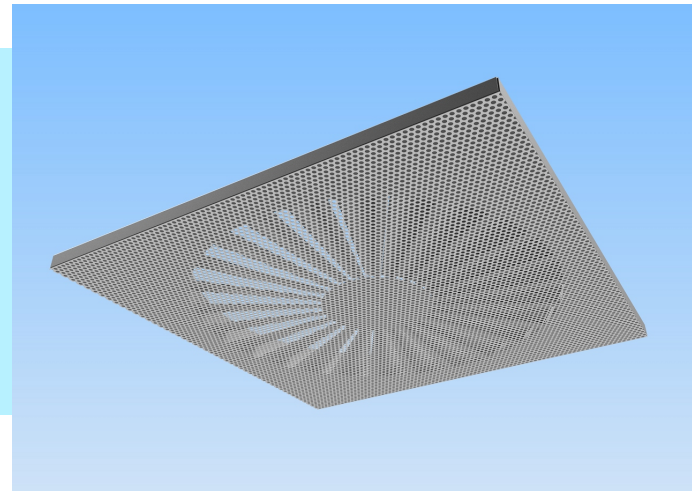


Swirl Diffuser Type PSW



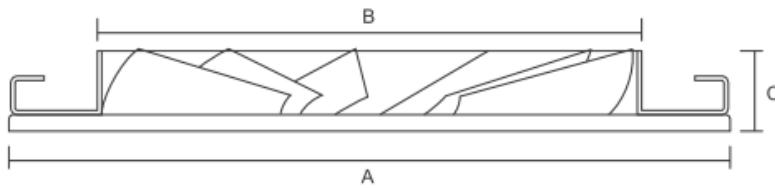
AIR IN MOTION

Perforated Face Swirl Diffuser suitable for ceiling mounting and is available with either a hinged or fixed perforated sheet face offering excellent performance but with a more discreet appearance within the ceiling.



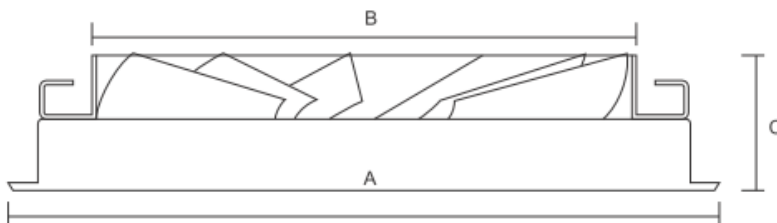
Multiple Variations

PSW-12-L Lay-in Ceiling Type



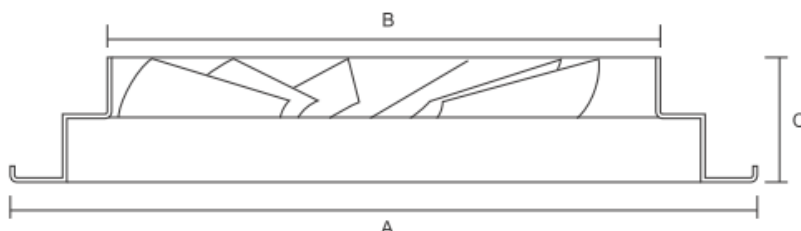
Nom Size	A	BØ	C
160	595	157	60
250	595	247	60
315	595	312	60
450	595	447	60

PSW-12-H Hinged Face Type



Nom Size	A	BØ	C
160	595	157	105
250	595	247	105
315	595	312	105
450	595	447	105

PSW-12-C Circular Type



Nom Size	AØ	BØ	C
160	300	157	90
250	390	247	90
315	455	312	90
450	590	447	90

How to Order

Type	No of Blades	Edge Detail	Size	Overall Size	RAL Colour
PSW	12	L - Lay-In Grid H - Hinged Core C - Circular Frame	160 250 315 450	e.g. 595 x 595	e.g. RAL 9010

e.g. 10 No PSW - 12 - L - 450 - 595 x 595 - RAL 9010

Performance Data

Size			20	25	30	35	40	45	50	55	60
160 Dia	I/s		20	25	30	35	40	45	50	55	60
	Throw m		0.3 - 0.5	0.4-0.7	0.5-0.9	0.6-1.1	0.6-1.3	0.7-1.4	1.0-1.6	1.0-1.7	1.2-1.9
	Pa		6	10	14	20	26	33	40	49	58
	NC			18	23	28	31	35	38	40	43
250 Dia	I/s		40	50	60	70	80	90	100	110	120
	Throw m		0.5-0.9	0.6-1.2	0.7-1.4	0.9-1.9	1.0-2.1	0.9-2.3	1.2-2.4	1.3-2.6	1.4-2.9
	Pa		5	8	12	16	21	26	32	39	47
	NC			18	23	27	31	34	37	40	42
315 Dia	I/s		70	80	90	100	120	140	160	180	200
	Throw m		0.8-1.5	0.8-1.7	1.0-1.9	1.1-2.1	1.2-2.5	1.4-2.9	1.8-3.4	2.0-3.8	2.4-4.2
	Pa		6	8	10	12	18	24	35	40	49
	NC			15	18	21	26	31	34	38	41
450 Dia	I/s		150	175	200	225	250	275	300	325	350
	Throw m		1.0-2.1	1.2-2.5	1.3-2.8	1.5-3.2	1.6-3.5	2.0-3.9	2.0-4.2	2.3-4.6	2.5-4.9
	Pa		5	7	9	11	14	17	20	23	27
	NC			17	21	24	27	30	32	34	42

NOTE:

All throws based on terminal velocities of 0.5 - 0.25 m/s

For Return Air Applications Multiply Pa x 0.75, NC Levels remain the same

Please contact our Sales Office on 01707 386126 for selection advice