

Curved Duct Mounted Grilles Type JCDM-CPD

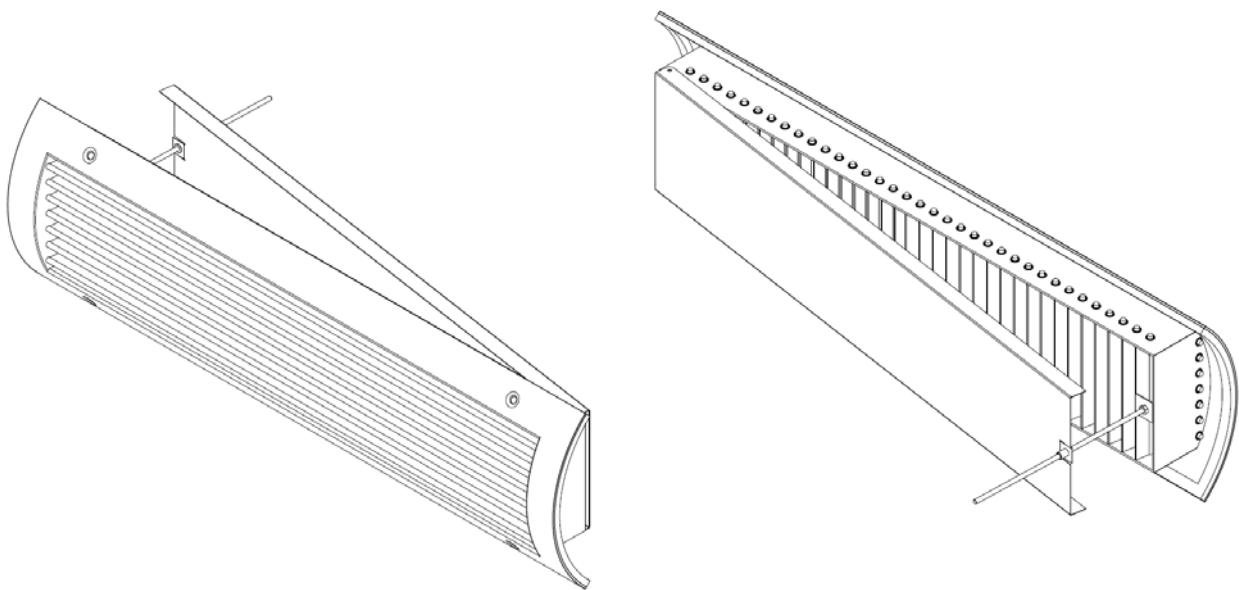


Type JCDM -CPD

JPR JCDM model grilles are suitable for duct mounting in most commercial applications.

Individually adjustable vanes allow for the air to be directed within 45 degrees of the duct.

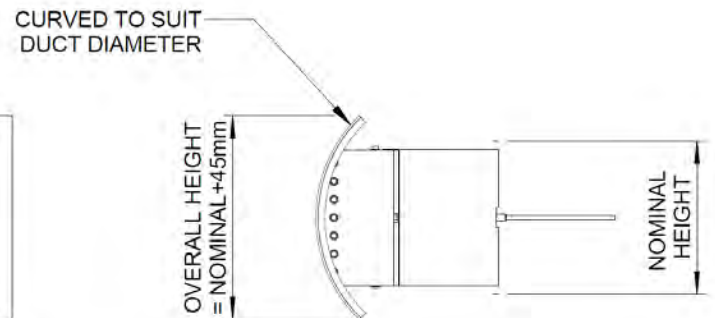
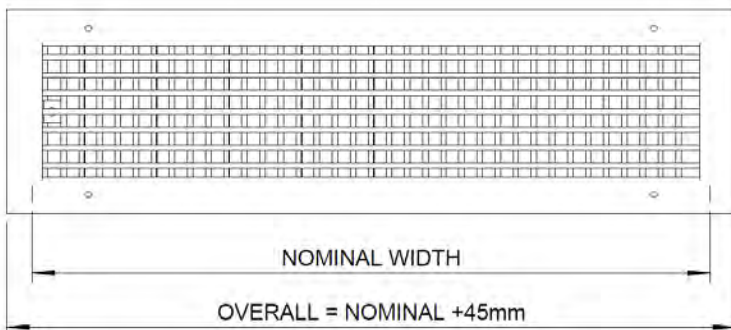
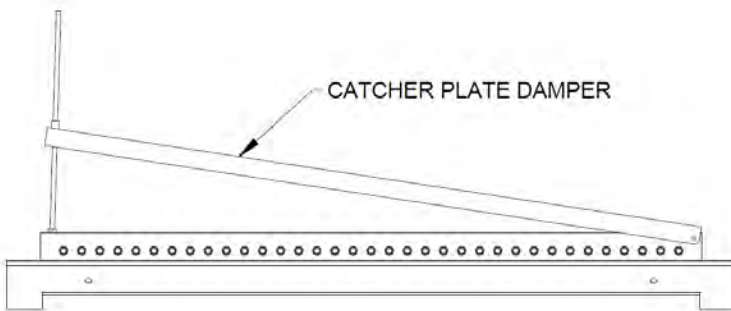
The grilles are supplied with a catcher plate damper, which is adjustable through the face of the grille and will remain in the desired setting, when this has been achieved.



Design Features

Material	Galvanised Steel Frame Aluminium Blades
Core	Fixed, non removable
Mounting	Face fix through frame

Dimensional Information



Selection Information

Data based on 10 degrees cooling differential
 Noise level is based on grilles sound power with an 8db room absorption
 Throw is based on a free jet application
 Throw correction for 0.3m/s - x1.3
 Average room velocity between 0.15-0.18m/s

Selection Example:

425x85mm Nominal grille, 70l/s

Throw : 3.6m @ 0°. 2m @ 45° Noise : <25Pa

Velocity : 3.4m/s Pressure drop : 8Pa

Performance Nomogram

