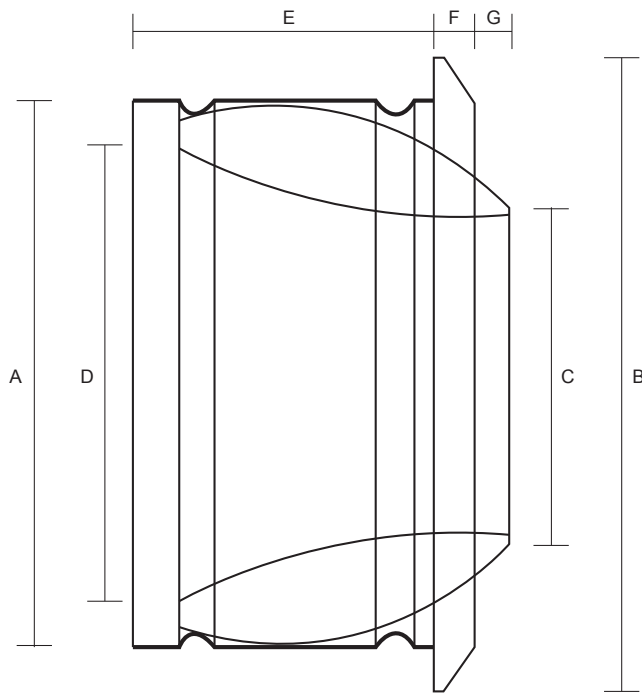


Suitable for Sidewall positioning to distribute warm or cool air into large open spaces. It is adjustable to 360° to allow the air discharge to be directed to suit specific site requirements whilst excellent induction of room air gives comfortable conditions within the occupied zone.



## Diffuser Dimensions



Nominal Size	A	B	C	D	E	F	G	Net Weight (kg)
160	157	210	80	115	90	23	2	0.43
200	197	265	105	152	110	27	10	0.62
250	247	315	128	195	130	25	10	1.24
315	312	387	165	245	170	30	15	1.60
400	397	493	210	320	213	31	26	2.04

## How to Order

Type	Frame	Size	RAL Colour
JJN	F - Standard Flange	200 dia	e.g. RAL 9010

**Example:** 10 No JJN - F - 200 Dia - RAL 9010

**Size**

*Performance Data*

<b>160 Dia</b>	I/s	23	30	46	70		
	Throw M	10.1 6.1 3.0	13.0 7.8 3.9	20.0 12.0 6.0	30.0 18.0 9.0		
	Pd	11	28	80	110		
	Lwa dB (A)	<20	<20	24	30		
<b>200 Dia</b>	I/s	30	50	70	90	110	
	Throw M	10.1 6.1 3.0	16.8 10.1 5.1	23.6 14.1 7.1	30.3 18.2 9.1	>30 22.2 11.1	
	Pd	13	36	71	118	176	
	Lwa dB (A)	<15	17	21	33	39	
<b>250 Dia</b>	I/s	70	90	110	130	150	170
	Throw M	15.8 9.5 4.8	20.4 12.2 6.1	24.9 14.9 7.5	29.4 17.7 8.8	>30 20.4 10.2	>30 23.1 11.5
	Pd	19	31	47	66	87	112
	Lwa dB (A)	<15	21	27	32	36	39
<b>315 Dia</b>	I/s	110	130	150	170	190	210
	Throw M	20.5 12.3 6.1	24.2 14.5 7.3	27.9 16.8 8.4	>30 19 9.5	>30 21.2 10.6	>30 23.5 11.7
	Pd	18	25	33	43	53	65.29
	Lwa dB (A)	<15	16	20	23	26	41
<b>400 Dia</b>	I/s	200	250	300	350	400	450
	Throw M	25 15 7.5	>30 18.7 9.8	>30 22.5 11.3	>30 26.2 13.2	>30 29.9 15.1	>30 >30 16.8
	Pd	13	21	30	41	54	68
	Lwa dB (A)	<15	20	25	30	33	37

**NOTE:**

All throws based on terminal velocities of 0.3/0.5/1.0 m/s

### Fixing in 3 easy steps....



**STEP1:** Diffuser without Cover Ring can be drilled and face fixed to suit each site.



**STEP2:** Special Cover Ring simply 'Twist and Locks' on to the 3 locators on the diffuser face



**STEP 3:** Completed

## Other products to consider in our range...



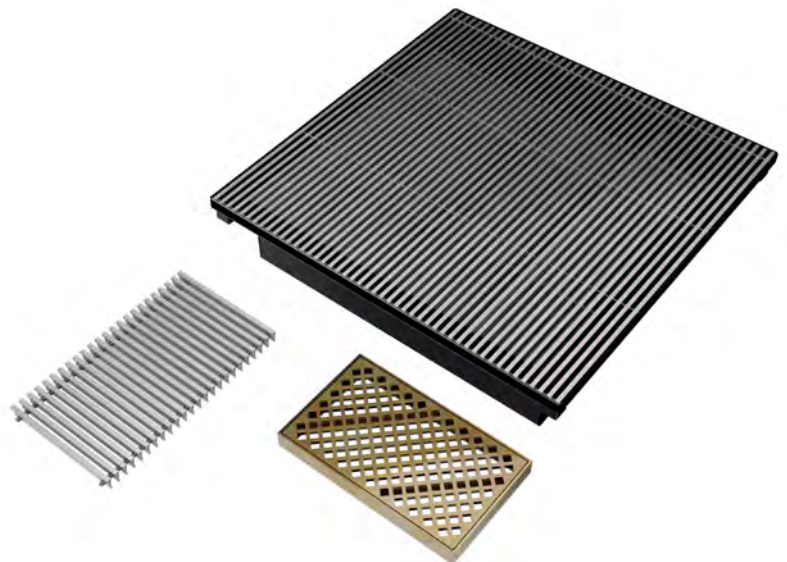
Swirl Diffusers



Acoustic Louvres



Plaster-In Products



Floor Grilles