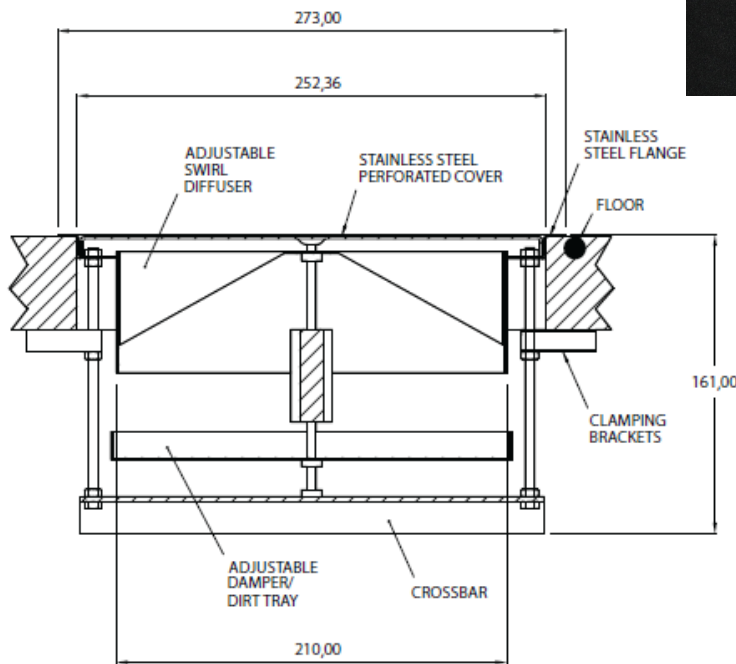
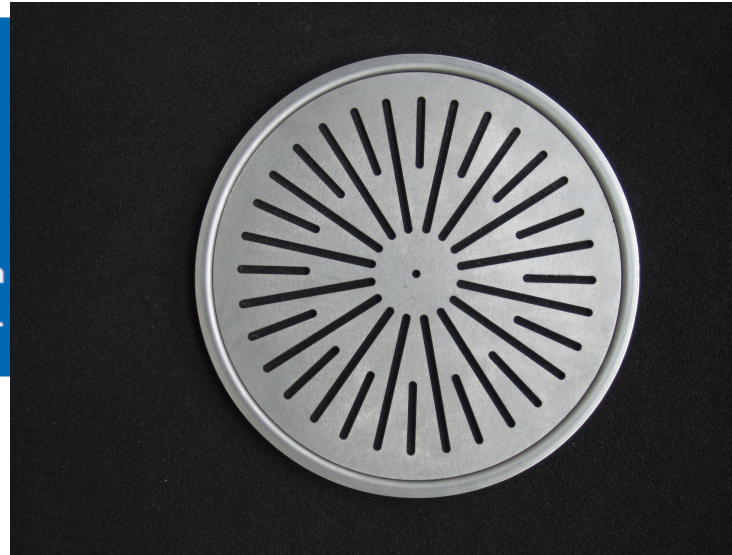


Our Floor Swirl Diffuser is suitably reinforced for heavy duty floor usage and is available in either Stainless Steel or Powder Coated Mild Steel.

The swirl element is adjustable to provide both a horizontal air pattern for displacement applications or a vertical projection for high induction twist applications.



Possible variations:



Performance Data - Floor Swirl Diffuser

Air Volume l/s	15	20	25	30	35	40
Pressure Drop Pa	5	8	12	16	23	28
Noise Level db (A)	10	16	22	26	30	34