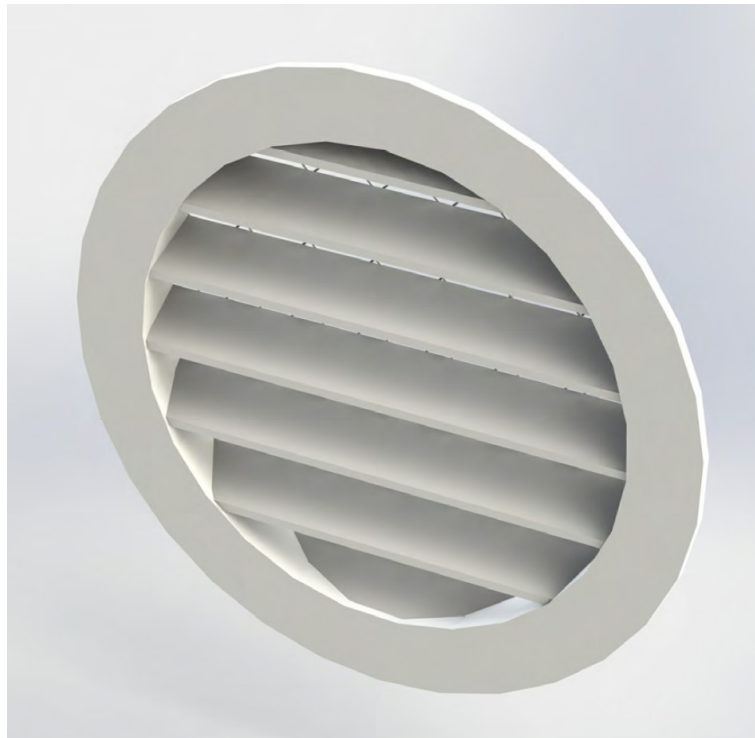


JCL CIRCULAR WEATHER LOUVRE



Series CL

Series CL circular cast louvres are small diameter external louvres, designed for applications requiring a high free area external vent, perfect for bathroom extractor fans etc.

Manufactured from a single aluminium casting, they are rattle free and robust, and are supplied factory fitted with bird screen.

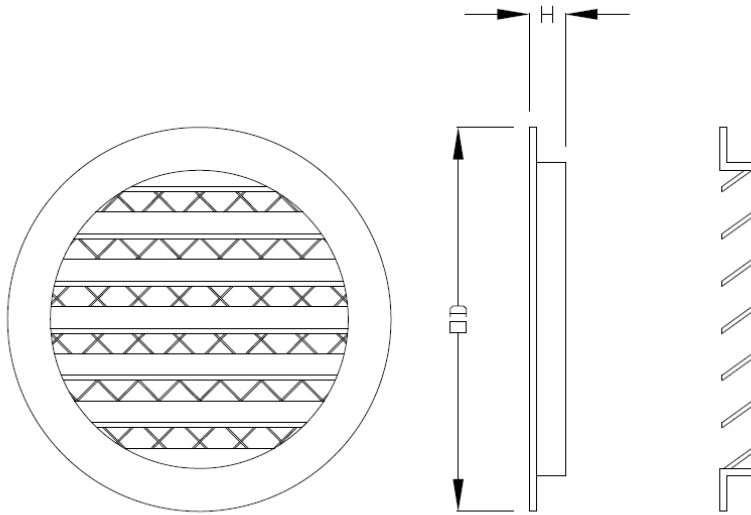
CL louvres can be fixed through the face into the substrate, or by using the two concealed holes in the neck.



Design features

| | |
|-----------------|---|
| Material | Cast aluminium Stainless steel bird mesh |
| Sizes | See overleaf |
| Core | Fixed, non removable |
| Finish | Bare aluminium Optional: See page 4 |

Technical drawings



| SIZE | DIMENSIONS (mm) | |
|------|-----------------|----|
| | OD | H |
| 100 | 125 | 20 |
| 125 | 150 | 20 |
| 150 | 180 | 18 |
| 160 | 185 | 18 |
| 200 | 225 | 20 |
| 250 | 275 | 20 |
| 315 | 350 | 20 |

Finish

Bare aluminium

Polyester powder coating to any RAL or BS colour



Ordering codes

Example

1 - 200 dia - CL - RAL9010

Codes

| | | | |
|----|-----------|-------------------------------------|---|
| 1) | Quantity | | |
| 2) | Size (mm) | (diameter) | Nominal diameter |
| 3) | Series | CL | Circular cast louvre |
| 4) | Finish | <i>*nothing*</i> RAL... BS... | Bare aluminium Polyester powder coated to RAL... Polyester powder coated to BS... |