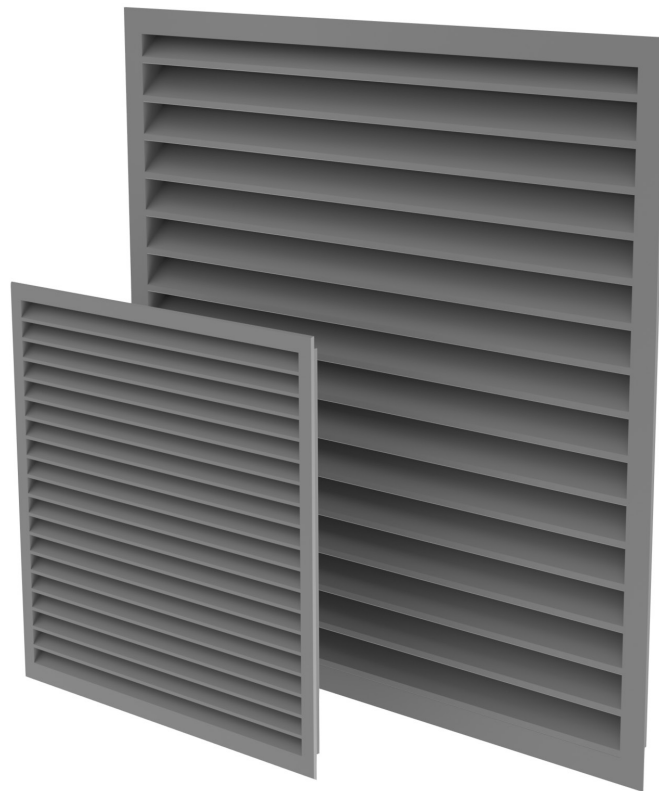


## FIXED BLADE WEATHER LOUVRES



## FIXED BLADE WEATHER LOUVRES

(FBL/NB and FBL/WB) are traditionally suited for air intake or discharge at ductwork start and ends of building elevations. They are also often utilised as an architectural feature to modern building design with their versatility lending itself to configurations of square/rectangular, circular or trapezoidal designs. FBL Series louvres offer a free area of approximately 50% across all models.

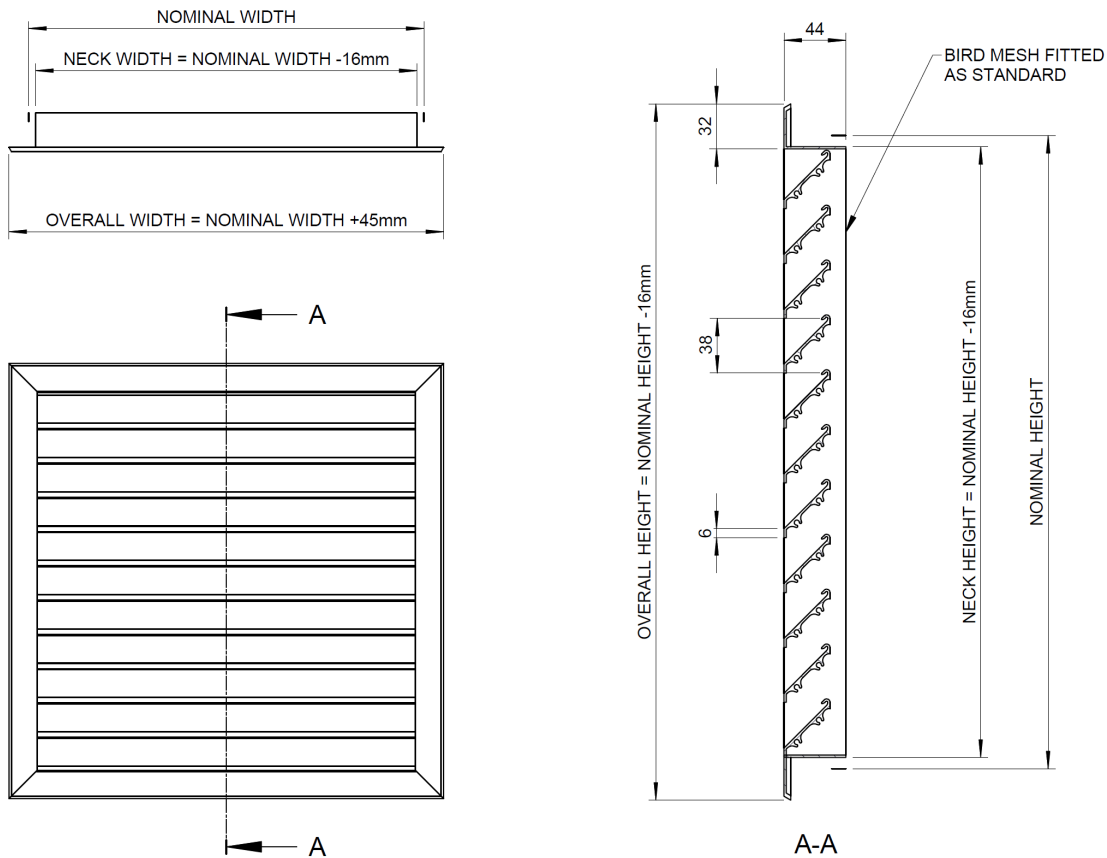
Both narrow blade (38mm pitch) and wide blade (76mm pitch) external louvres have 45° blade extrusion with an integral rain lip.

Standard 32mm wide undrilled outer flanges in aluminium have fully welded mitre corners as standard with the option of 50mm wide where required. Reverse angle flanges for recess mounting is also available as an alternative. All units are complete with a birdscreen. Insect screens and extended lower rainlips are available optional extras.

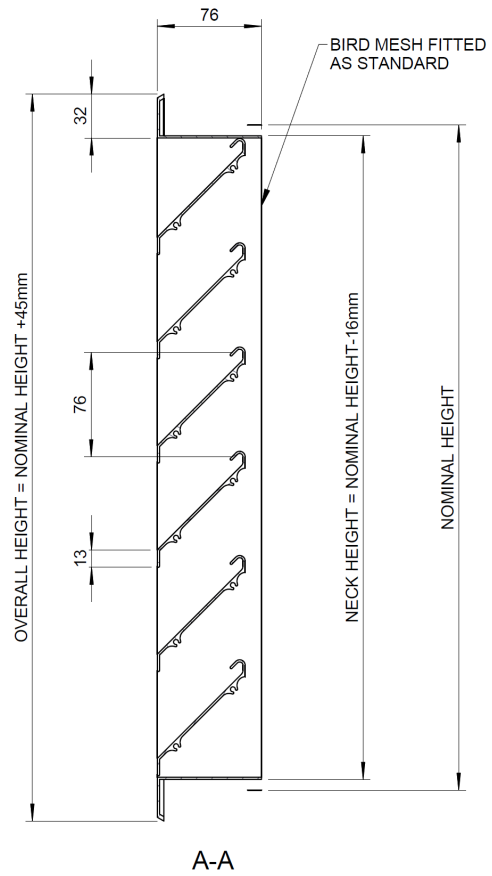
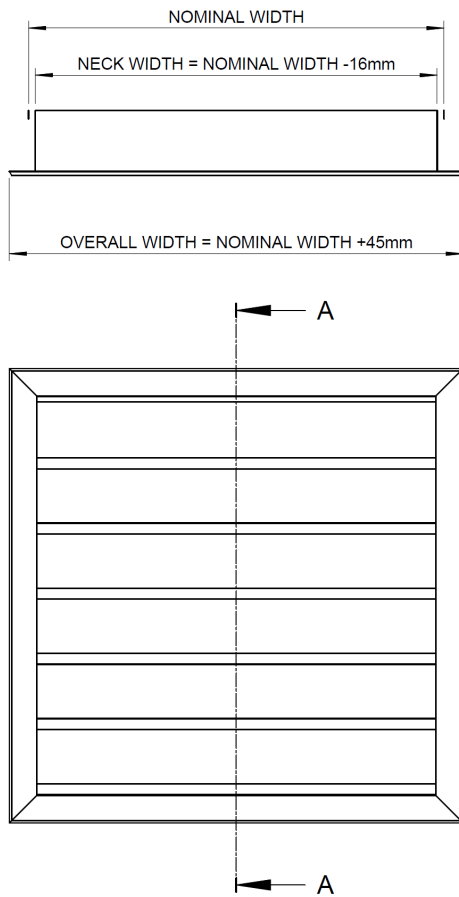
FBL louvres are mill finish aluminium as standard and can be polyester powder coated to an appropriate RAL colour.



### Dimensions : 32W FBL NB (Narrow Blade)

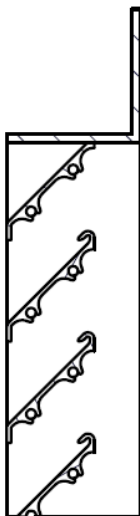


## Dimensions : 32W FBL WB (Wide Blade)

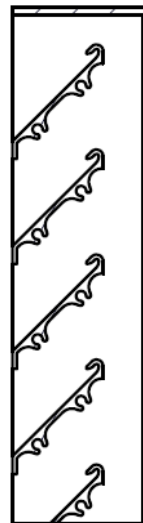


## Alternative Frame Styles

Reverse Angle External



Reverse Angle Internal



Other frame styles are available to suit glazing bar systems and other special applications.  
 Please contact the Sales Office for further information.

## FBL Selection Nomogram

