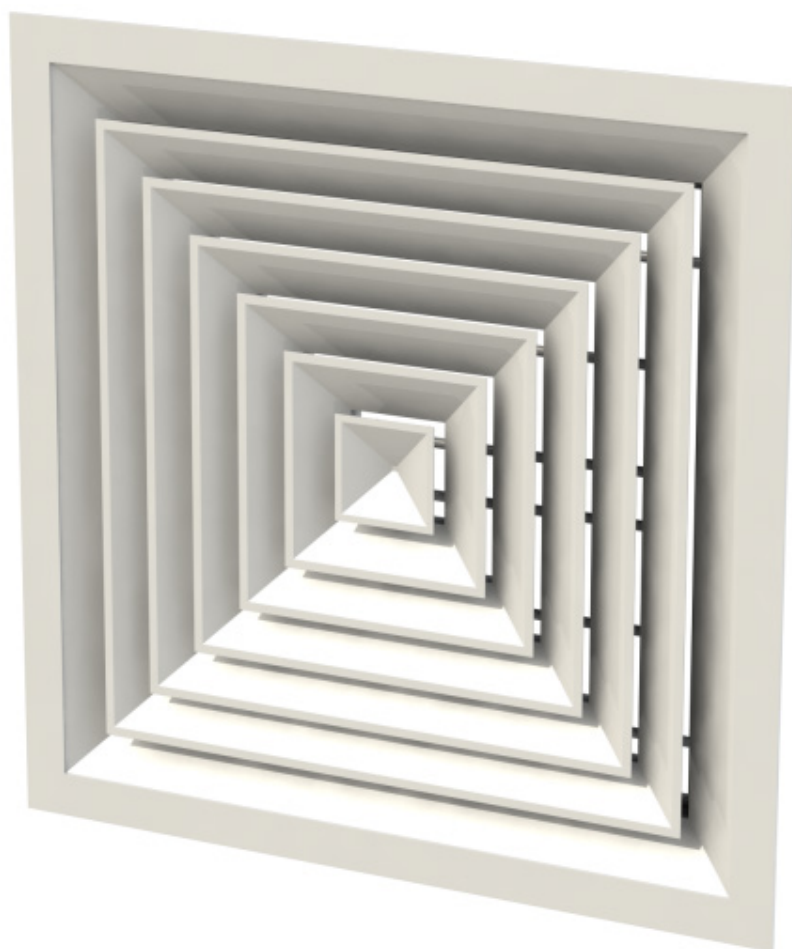


# B4W 4 WAY BLOW DIFFUSER



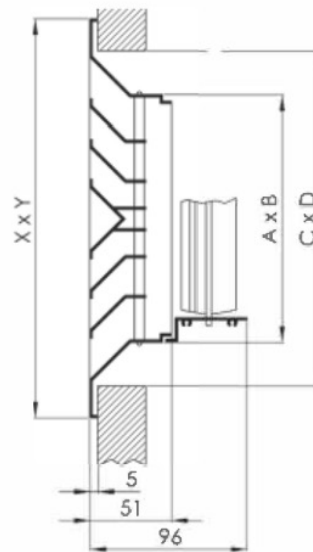
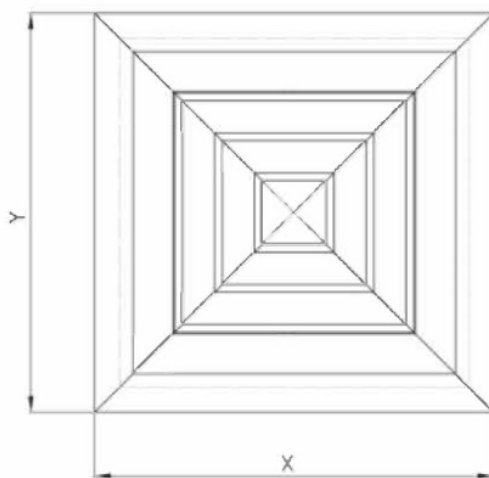
# B4W 4 WAY BLOW DIFFUSER

Suitable for both supply or return air and ceiling mounting. The multicone diffuser has two position settings so the core can be set to achieve either horizontal (fitted as standard) or vertical air patterns



## Size Chart

A x B	C x D	X x Y
150 x 150	220 x 220	295 x 295
225 x 225	295 x 295	370 x 370
300 x 300	370 x 370	450 x 450
375 x 375	445 x 445	520 x 520
450 x 450	520 x 520	595 x 595



## How to Order

Type	Damper	Frame	Fixings	Size	RAL Colour
B4W	D - OBD 0 - No OBD	F - Standard Flange	Lay-In Type	150 x 150 225 x 225 300 x 300 375 x 375 450 x 450	RAL 9010

e.g. 10 No B4W - D - F - 450 x 450 - RAL 9010

# B4W 4 WAY BLOW DIFFUSER

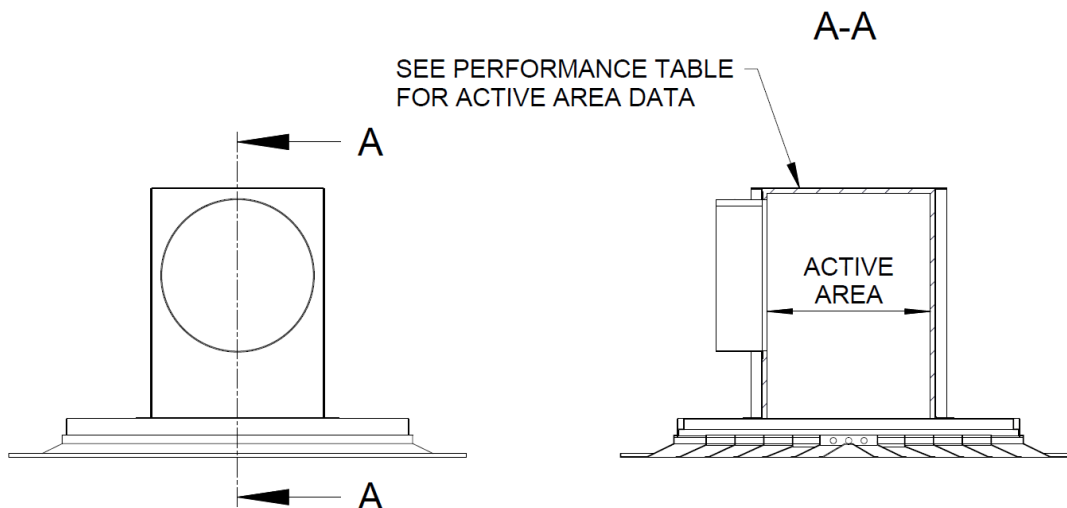
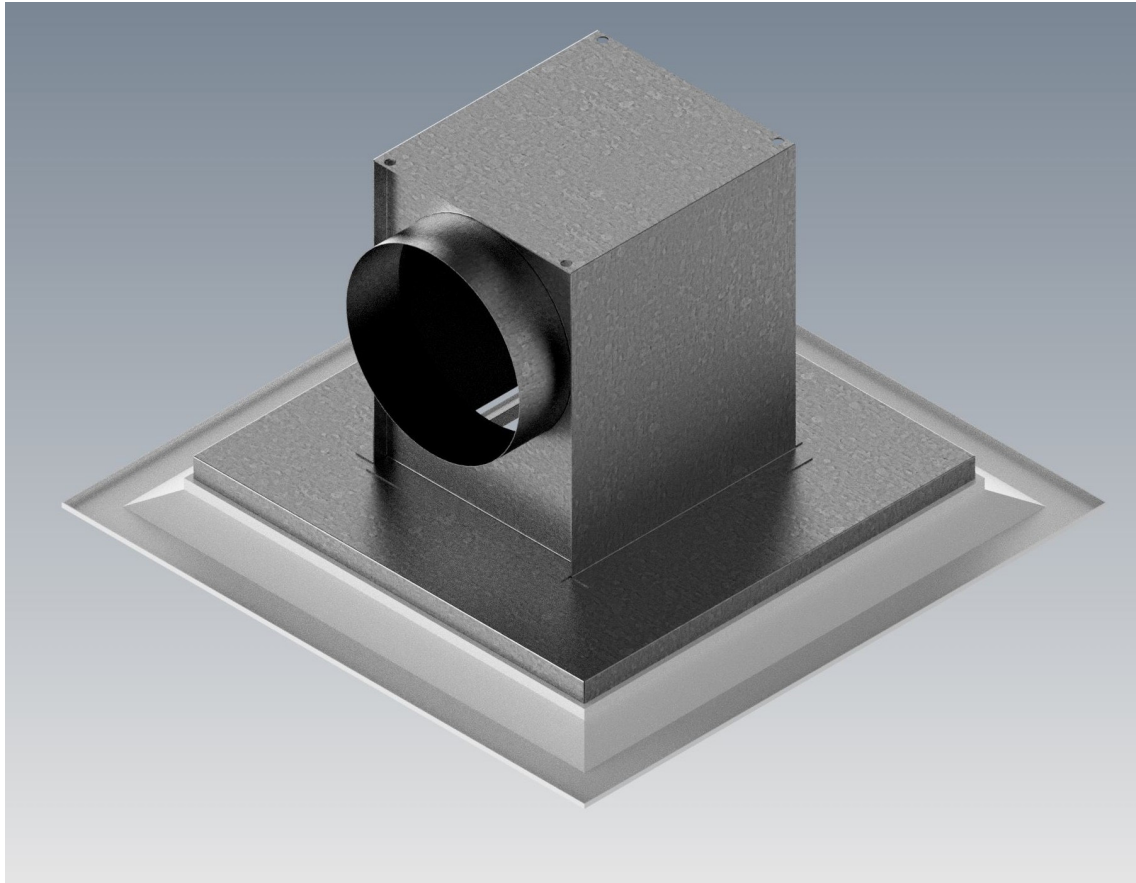


## Performance data

Square	Neck Velocity M/s:	1	1.25	1.5	1.75	2	2.5	3	3.5	4	4.5
Size mm	Total Pressure Pa:	3.5	5.3	7.5	10	13	21	30	40	53	67
150	Volume l/s	23	28	34	39	45	56	68	79	90	101
	Sound Power NRLW	-	11	17	21	26	31	35	42	47	52
	4 Way Throw	0.6	0.9	1.2	1.5	1.8	2.1	2.4	3.0	3.4	4.0
	3 Way Throw	0.9	1.2	1.5	1.8	2.1	2.4	2.7	3.0	3.7	4.3
	2 Way Throw	1.5	1.8	2.4	2.7	3.0	3.7	4.6	5.5	6.1	6.7
	1 Way Throw	2.1	2.4	3.0	3.7	4.3	5.2	5.8	6.1	6.7	7.0
225	Volume l/s	50	63	76	89	100	127	177	187	202	228
	Sound Power NRLW	-	12	18	22	26	32	38	43	47	52
	4 Way Throw	1.2	1.5	1.8	2.1	2.4	3.0	3.4	4.0	4.6	5.2
	3 Way Throw	1.5	1.9	2.2	2.6	3.0	3.5	4.0	4.6	5.2	5.8
	2 Way Throw	2.1	2.4	3.0	3.7	4.3	5.2	6.1	6.4	7.0	7.3
	1 Way Throw	2.7	3.4	4.3	4.9	5.2	5.8	6.4	6.7	7.3	7.9
300	Volume l/s	90	112	135	158	180	225	270	315	360	405
	Sound Power NRLW	-	13	18	23	27	33	40	44	48	53
	4 Way Throw	1.5	1.8	2.1	2.4	3.0	3.7	4.3	5.2	5.5	6.1
	3 Way Throw	1.8	2.0	2.4	3.0	3.7	4.0	4.9	5.5	6.1	6.4
	2 Way Throw	2.7	3.4	4.0	4.6	5.2	5.7	6.2	7.0	7.6	7.9
	1 Way Throw	3.4	4.3	4.9	5.2	5.5	6.1	6.7	7.3	7.9	8.2
375	Volume l/s	140	176	211	246	281	351	422	492	562	633
	Sound Power NRLW	-	14	20	24	28	35	40	44	49	54
	4 Way Throw	1.8	2.1	2.7	3.0	3.7	4.3	5.2	5.5	6.1	7.0
	3 Way Throw	2.0	2.4	3.0	3.4	3.7	4.9	5.5	6.1	6.4	7.3
	2 Way Throw	3.0	3.7	4.6	5.2	5.8	6.4	7.0	7.4	7.9	9.4
	1 Way Throw	4.0	4.6	5.2	5.5	6.0	6.7	7.3	7.7	8.2	9.7
450	Volume l/s	202	253	303	354	405	506	607	709	810	911
	Sound Power NRLW	10	16	22	28	33	38	42	46	51	57
	4 Way Throw	2.1	2.4	3.0	3.7	4.0	4.9	5.5	6.1	7.0	7.4
	3 Way Throw	2.4	2.7	3.4	4.0	4.3	5.5	6.1	6.4	7.6	7.9
	2 Way Throw	3.7	4.3	4.9	5.5	6.0	6.7	7.3	7.9	9.4	9.7
	1 Way Throw	4.3	4.9	5.2	5.8	6.3	7.0	7.6	8.2	9.7	10.0
525	Volume l/s	277	344	413	482	551	689	827	965	1100	1240
	Sound Power NRLW	11	17	23	30	35	40	44	48	53	58
	4 Way Throw	2.1	2.7	3.4	4.0	4.6	5.5	6.1	6.4	7.7	8.0
	3 Way Throw	2.4	3.0	3.7	4.3	4.9	5.8	6.4	7.3	7.9	8.4
	2 Way Throw	4.0	4.9	5.5	5.8	6.1	7.0	7.6	9.0	9.7	10.4
	1 Way Throw	4.6	5.2	5.8	6.1	6.4	7.3	7.9	9.4	10.0	10.7
600	Volume l/s	360	450	540	630	720	900	1080	1260	1440	1620
	Sound Power NRLW	12	18	25	31	37	42	45	50	55	59
	4 Way Throw	2.4	3.0	3.7	4.3	4.9	5.8	6.1	7.4	7.7	8.4
	3 Way Throw	2.7	3.4	4.0	4.6	5.2	6.0	6.4	7.6	8.4	8.7
	2 Way Throw	4.3	5.2	5.5	6.0	6.4	7.0	7.9	9.4	10.0	10.7
	1 Way Throw	4.6	5.2	5.8	6.3	6.7	7.3	8.2	9.7	10.4	11.0

## Blanking / Performance correction

Diffusers can be fitted with neck reducer plenums to correct performance where air volumes are low as shown below.



# B4W 4 WAY BLOW DIFFUSER

## Burgess Clip-In Option

Diffusers can be fitted with a special outer frame to integrate within a 'Clip-In' type ceiling system. Please specify the ceiling model and pip height when ordering. It is normal to have a bevelled edge outer frame

