

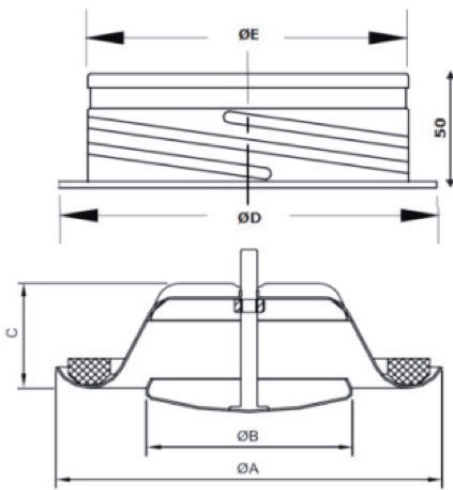
BSV / BEV AIR VALVES



Available as supply or return air valves. Manufactured from steel sheet and powder coated RAL 9010 as standard. Regulation of airflow is achieved by turning the control disc (+ or -) and can be locked in position.



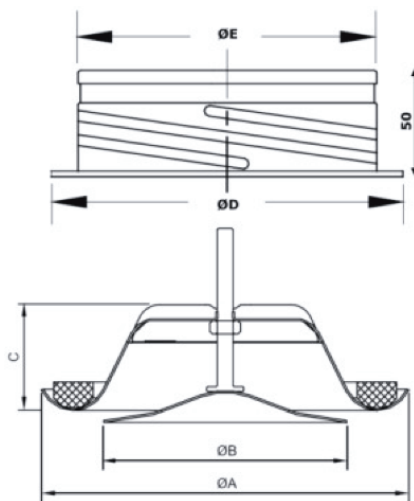
Extract Air Valve



Dimensions in millimetres

BEV	100 Ø	125 Ø	150 Ø	160 Ø	200 Ø
A	140	166	204	209	248
B	75	98	119	129	157
C	40	46	54	54	59
D	125	150	175	185	225
E	99	124	149	159	199

Supply Air Valve



Dimensions in millimetres

BSV	100 Ø	125 Ø	150 Ø	160 Ø	200 Ø
A	140	140	204	209	248
B	91	112	137	148	196
C	40	46	54	54	59
D	125	125	175	185	225
E	99	99	149	159	199

Air Valve Performance Data: Supply Air Valve

SIZE			10	12	15	17	20	22	25	27	
100 Dia	Air Volume l/s										
	Throw m		0.8	0.9	1.2	1.3	1.6	1.7	1.9	2.1	
	Pd	- 6mm		36	52	82	105	145	176	227	265
		0mm		11	16	25	32	44	53	69	80
		+ 6mm		4	6	10	13	18	21	28	32
NR Level		<20	<20	<20	<20	20	22	26	28		

SIZE			15	17	20	22	25	27	30	40	
125 Dia	Air Volume l/s										
	Throw m		1.1	1.2	1.5	1.6	1.8	2.0	2.2	2.9	
	Pd	- 6mm		24	31	43	52	67	78	96	171
		0mm		7	9	13	16	20	24	29	52
		+ 6mm		4	5	6	8	10	12	15	26
NR Level		<20	<20	<20	<20	<20	<20	<20	<20	20	

SIZE			15	20	25	30	35	40	45	50	
150/160 Dia	Air Volume l/s										
	Throw m		0.6	0.8	1.0	1.2	1.4	1.6	1.8	2.0	
	Pd	- 6mm		13	22	35	50	68	89	113	139
		0mm		6	10	16	23	31	40	51	63
		+ 6mm		2	4	6	9	12	16	20	25
NR Level		<20	<20	<20	<20	<20	<20	<20	21	24	

SIZE			25	30	35	40	50	60	70	80	
200 Dia	Air Volume l/s										
	Throw m		0.8	0.9	1.1	1.2	1.6	1.9	2.2	2.5	
	Pd	- 6mm		43	62	84	109	171	246	335	438
		0mm		15	21	29	38	59	85	116	151
		+ 6mm		6	8	12	15	24	34	46	60
NR Level		<20	<20	<20	<20	23	29	33	37		

Air Valve Performance Data: Extract Air Valve

SIZE			10	12	15	17	20	22	25	27	
100 Dia	Air Volume l/s										
	Pd	- 6mm		21	30	47	60	83	101	130	152
		0mm		15	21	34	43	60	72	93	109
		+ 6mm		9	13	20	26	36	43	56	65
NR Level		<20	<20	<20	<20	21	23	27	29		

SIZE			15	17	20	22	25	27	30	40	
125 Dia	Air Volume l/s										
	Pd	- 6mm		24	31	44	53	68	79	98	174
		0mm		17	22	31	38	49	57	70	124
		+ 6mm		10	13	19	23	29	34	42	75
NR Level		<20	<20	<20	<20	<20	<20	<20	<20	23	

SIZE			15	20	25	30	35	40	45	50	
150/160 Dia	Air Volume l/s										
	Pd	- 6mm		14	25	40	57	78	102	129	159
		0mm		10	18	28	41	56	73	92	113
		+ 6mm		6	11	17	24	33	44	55	68
NR Level		<20	<20	<20	<20	<20	<20	<20	21	24	

SIZE			25	30	35	40	50	60	70	80	
200 Dia	Air Volume l/s										
	Pd	- 6mm		19	28	38	49	77	111	151	197
		0mm		13	18	25	33	51	74	100	131
		+ 6mm		8	12	16	21	33	48	65	85
NR Level		<20	<20	<20	<20	<20	<20	23	27	31	

How to order

Type	Size	Accessories
BEV - Extract BSV - Supply	See Above	FR - Fire Rated
e.g. 10 No BEV - 150 Dia		