

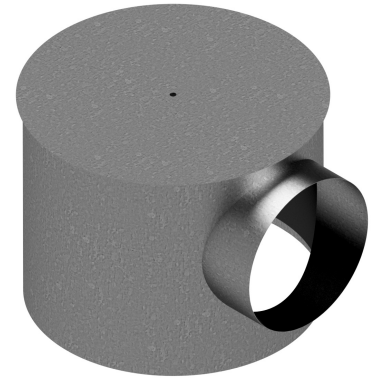
# SWIRL DIFFUSER TYPE ADSW-C



# ADSW-C - Circular Model

Adjustable Blade Swirl Diffuser suitable for ceiling mounting and can be manufactured to suit most ceiling tile arrangements.

The Adjustable Blade Swirl Diffuser offers excellent induction of room air and the rapid decay of supply air velocities.

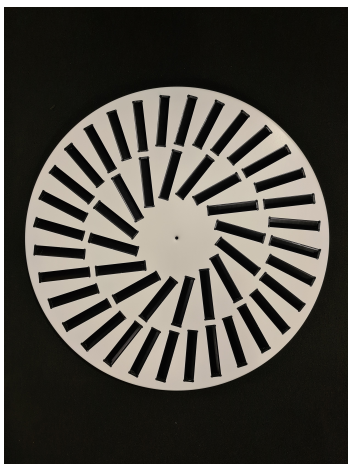


## Performance Data - ADSW - 24C- 500

Air Volume	40	45	50	55	60	70	80	90	100	110	120	130	140
Thow vt 0.25m/s	0.9	1	1.1	1.2	1.3	1.5	1.7	2	2.2	2.4	2.6	2.8	3
Pressure Drop PA	3	4	5	6	7	9	12	15	19	23	27	31	36
Noise Level NC	<15	<15	<15	<15	16	20	24	27	30	33	35	38	40

## How to Order

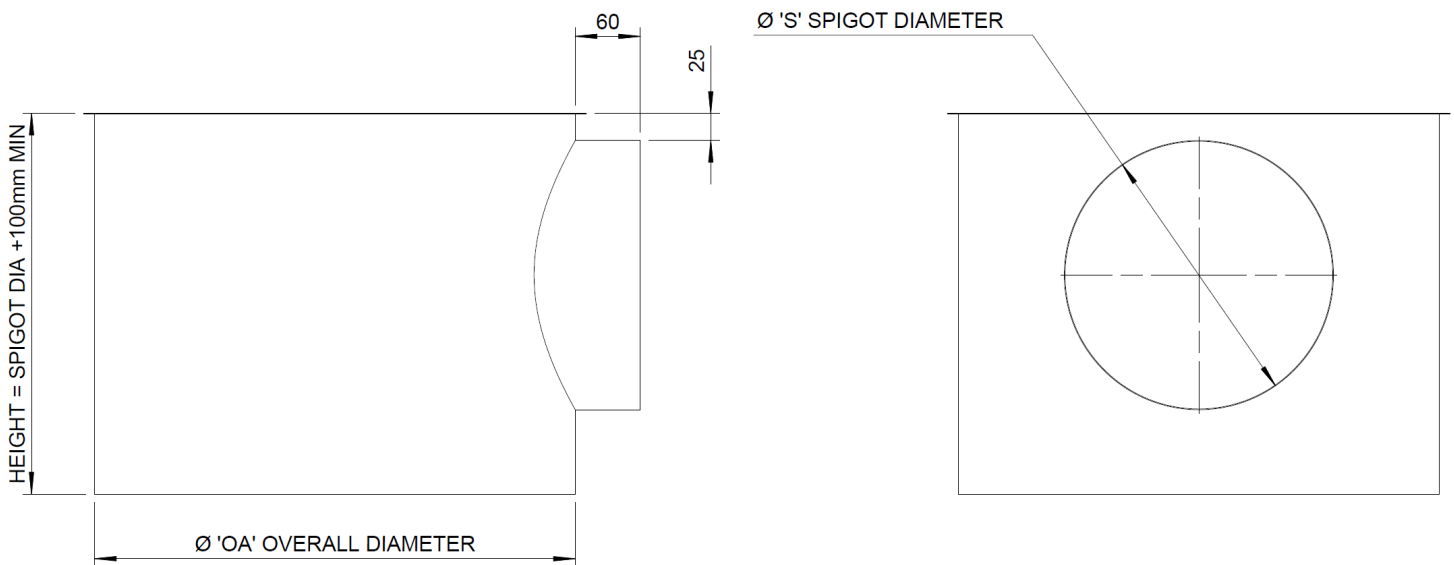
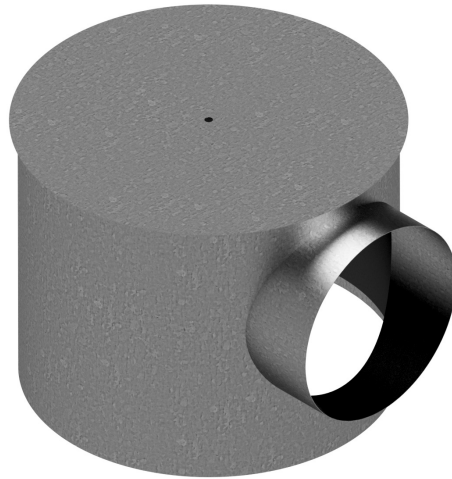
Type	No of Blades	Edge Detail	Size	Overall Size	RAL Colour	Blade Colour
ADSW-C	24	S - Surface Mount/ Exposed	500	500	e.g RAL9010	- Black - Specify



Other Variations available  
 "48 Blade type extra high capacity"  
 We can manufacture bespoke patterns to suit your requirements

# ADSW-C - Circular Model

*Circular Plenum Boxes Available to match for exposed ceiling applications*



## *Plenum Box Dimensions & Standards*

All plenum boxes are available with 6mm or 12mm Class 'O' foam lining. Additional spigots and bespoke boxes are available on request, please contact the Sales Office to discuss your requirements.